

INDUSTRICA WALL SET WITH METAL LEVER

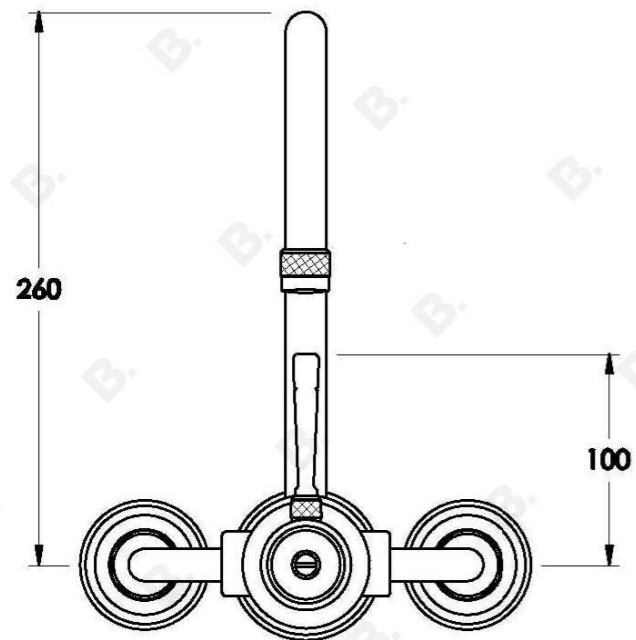
1.6728.00.0.XX

1.6728.50.0.XX: Flow controlled variant

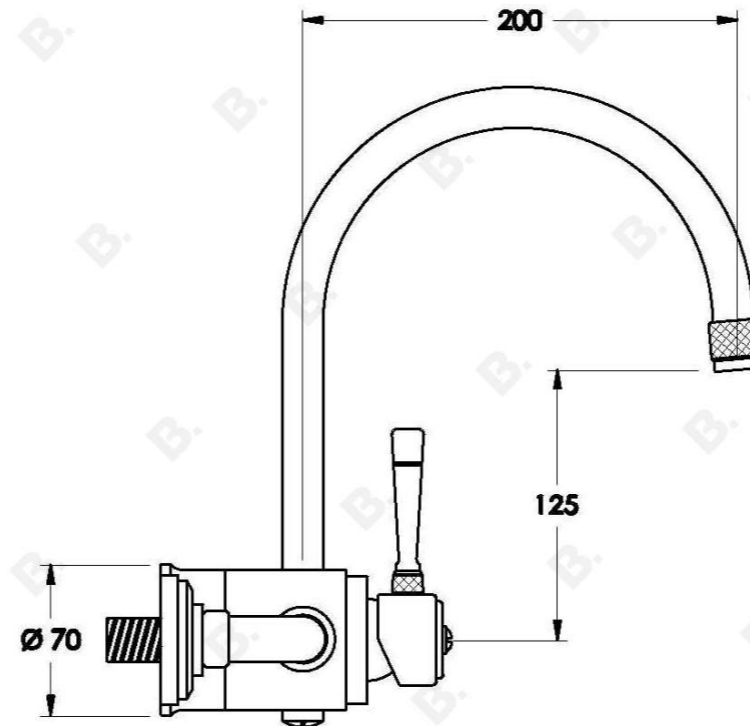


PRODUCT DIMENSIONS:

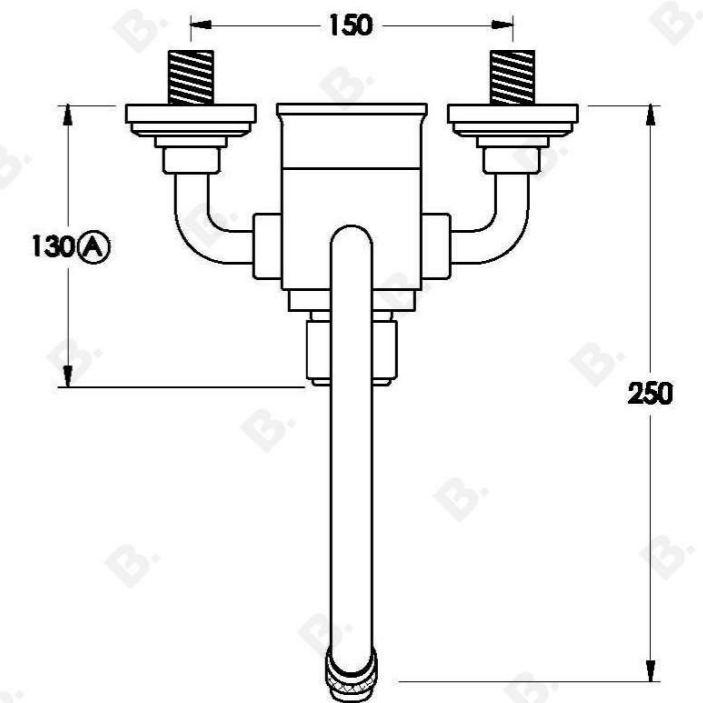
Front view:



Side view:



Top view:



Note: 1/2" BSP female fittings required in the wall