

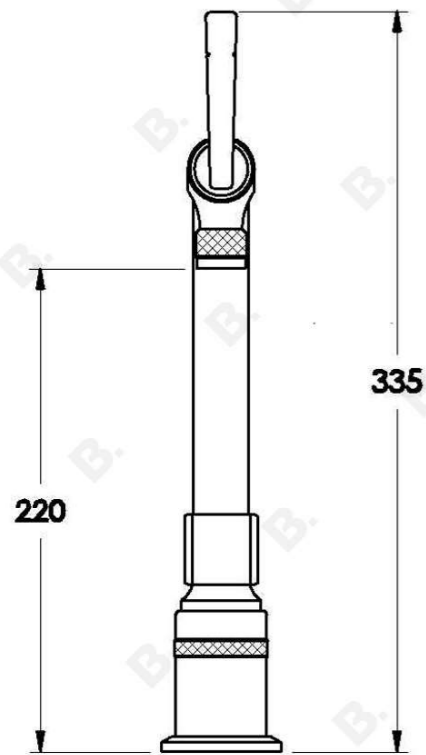
## INDUSTRICA BAR TAP WITH LEVER HANDLE

1.6716.08.3.XX

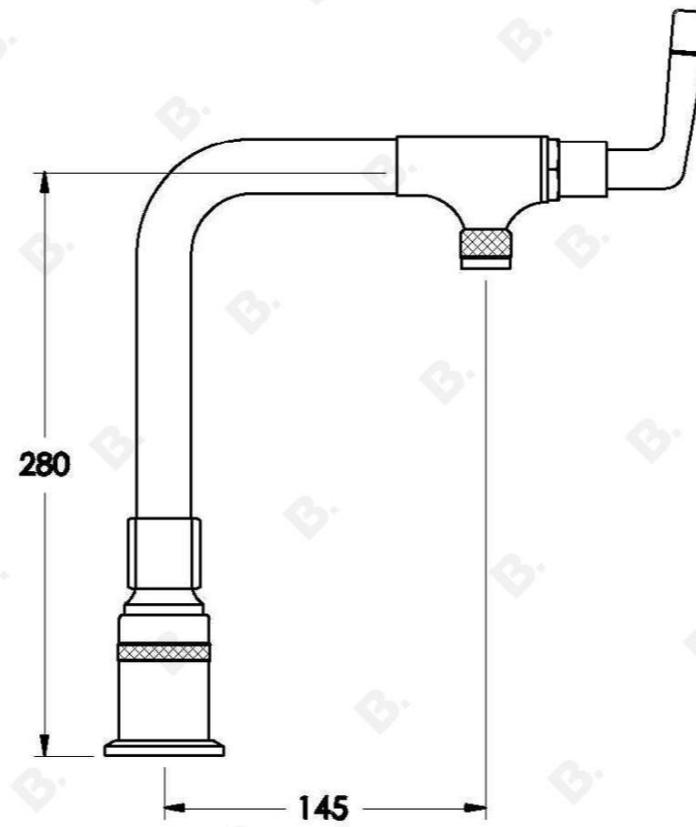


### PRODUCT DIMENSIONS:

Front view:



Side view:



Top view:

