

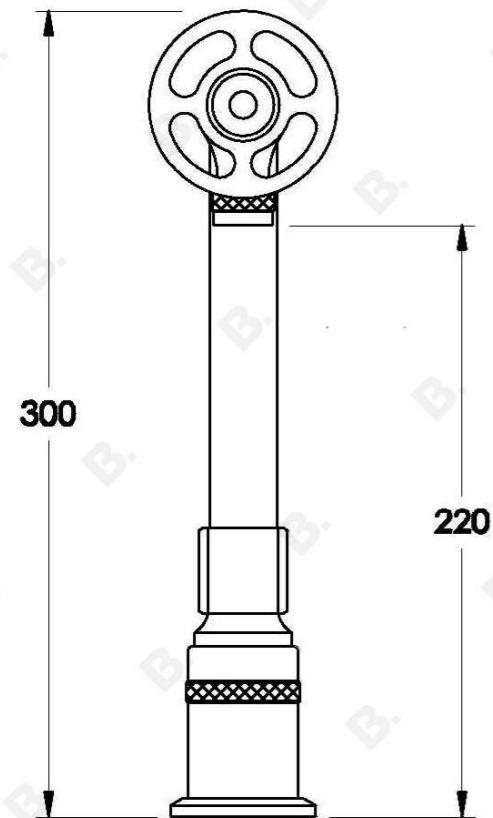
INDUSTRICA BAR TAP WITH CROSS HANDLE

1.6716.08.2.XX

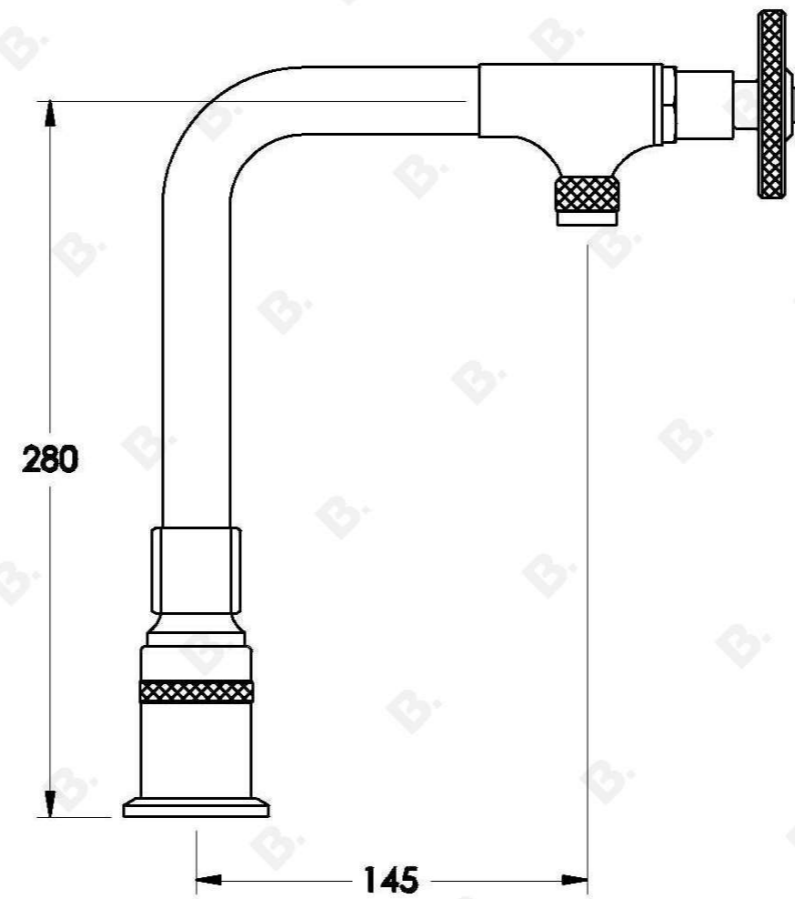


PRODUCT DIMENSIONS:

Front view:



Side view:



Top view:

