

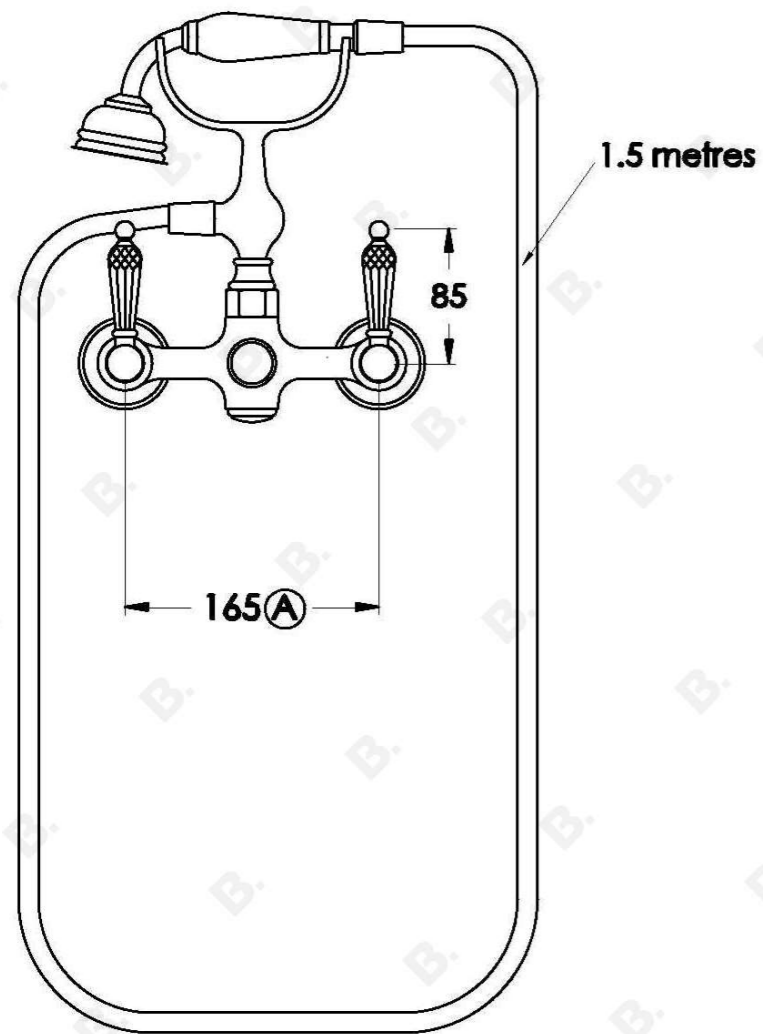
WINSLOW BATH MIXER WITH KRISTALL LEVER

1.8120.20.8.XX

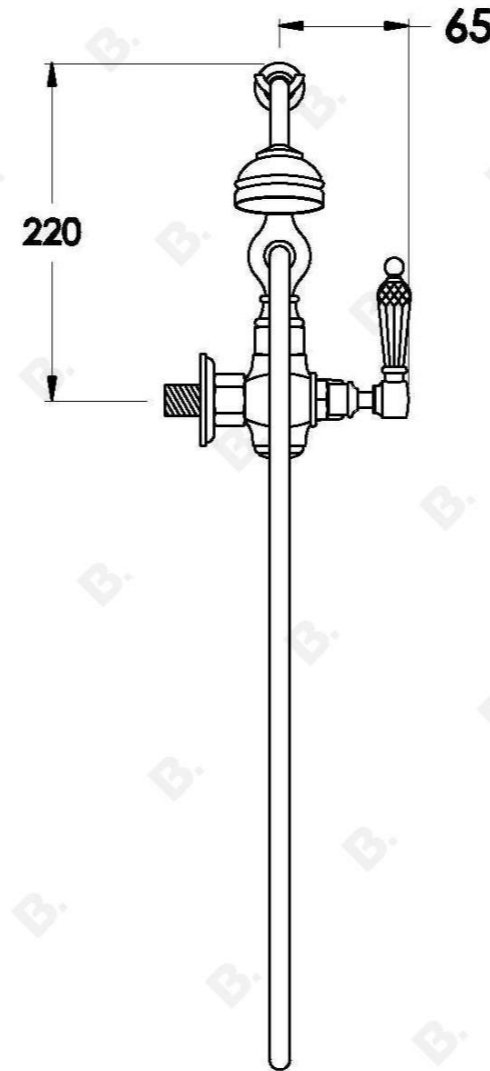


PRODUCT DIMENSIONS:

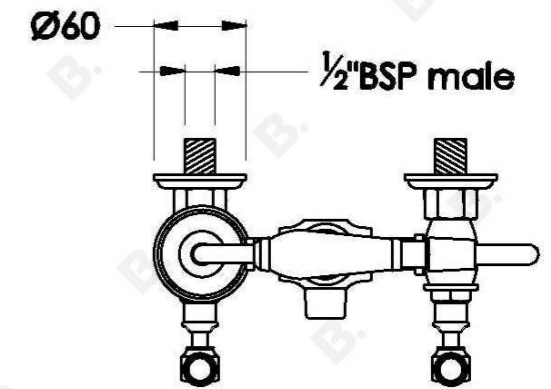
Front view:



Side view:



Top view:



Note: G $\frac{1}{2}$ " BSP female fittings required in the wall (A) Fixed centre; outlets must have 165mm centres

XX suffix indicated finish
Dimensions subject to change without notice
All dimensions are approximate
Ⓐ Approximate distance
Copyright © Brodware 2020