

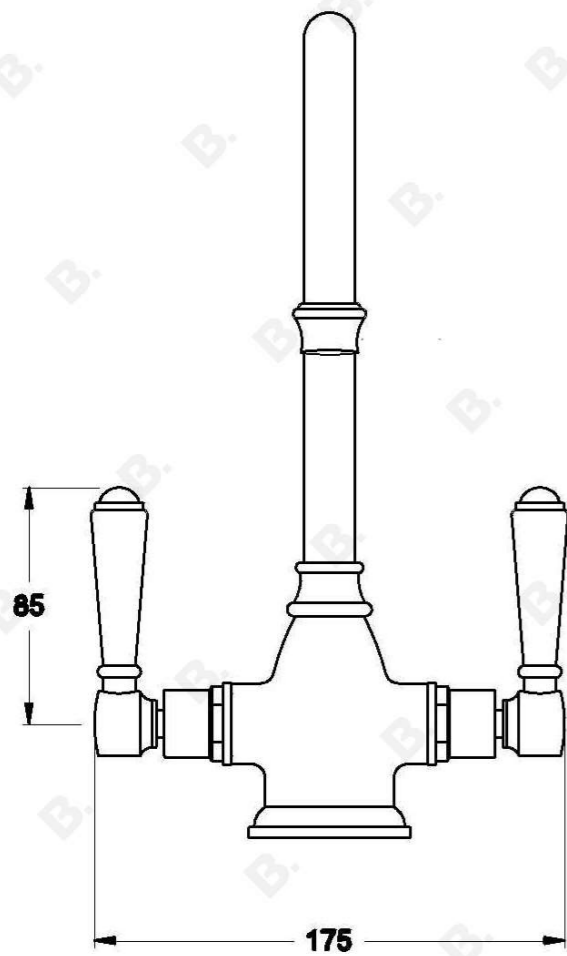
WINSLOW KITCHEN MIXER WITH METAL LEVERS

1.8130.00.3.XX

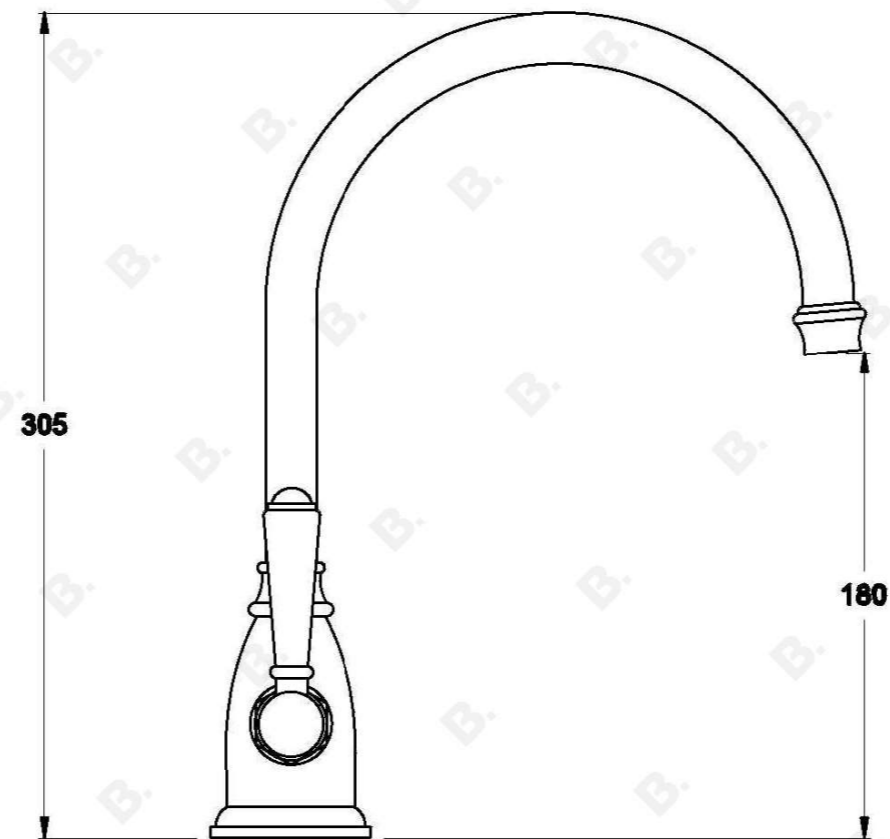


PRODUCT DIMENSIONS:

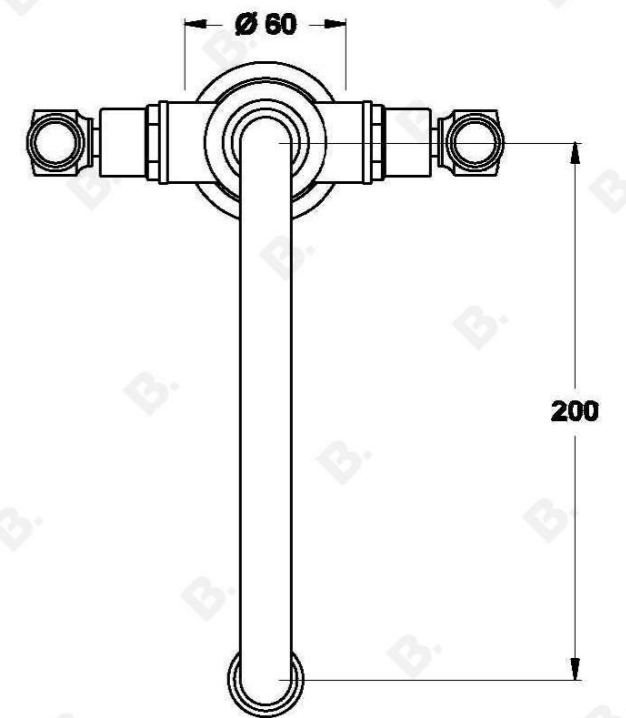
Front view:



Side view:



Top view:



Note: Mixer requires a $\varnothing 35$ mm hole in the bench or basin