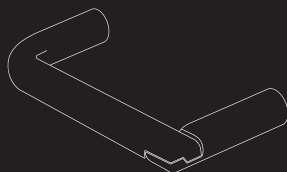
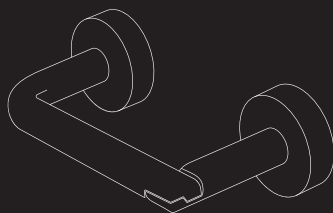
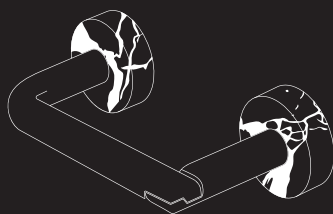


TOILET ROLL HOLDER INSTALLATION INSTRUCTIONS

SUITABLE FOR 1.9261.00 & 1.9561.00



INSTALLATION GUIDE

1. Align and attach template provided to desired fixing location of the toilet roll holder (figure a).
2. Using a 6mm drill bit, drill holes through the marked spots on the template. For installation of the 1.9261.00, use the centre hole (figure b) and for installation of the 1.9561.00, use the three outer holes (figure c). Drill to a depth of approximately 35mm.
3. Remove template from wall and fit tile plugs provided into the holes.
4. Insert mounting screws through the mounting bush and screw into the wall plugs (figures d & e).
5. Fit the flange (for install of the 1.9561.00) and the toilet roll holder and secure to the bush with the grub screw (figures d & e).

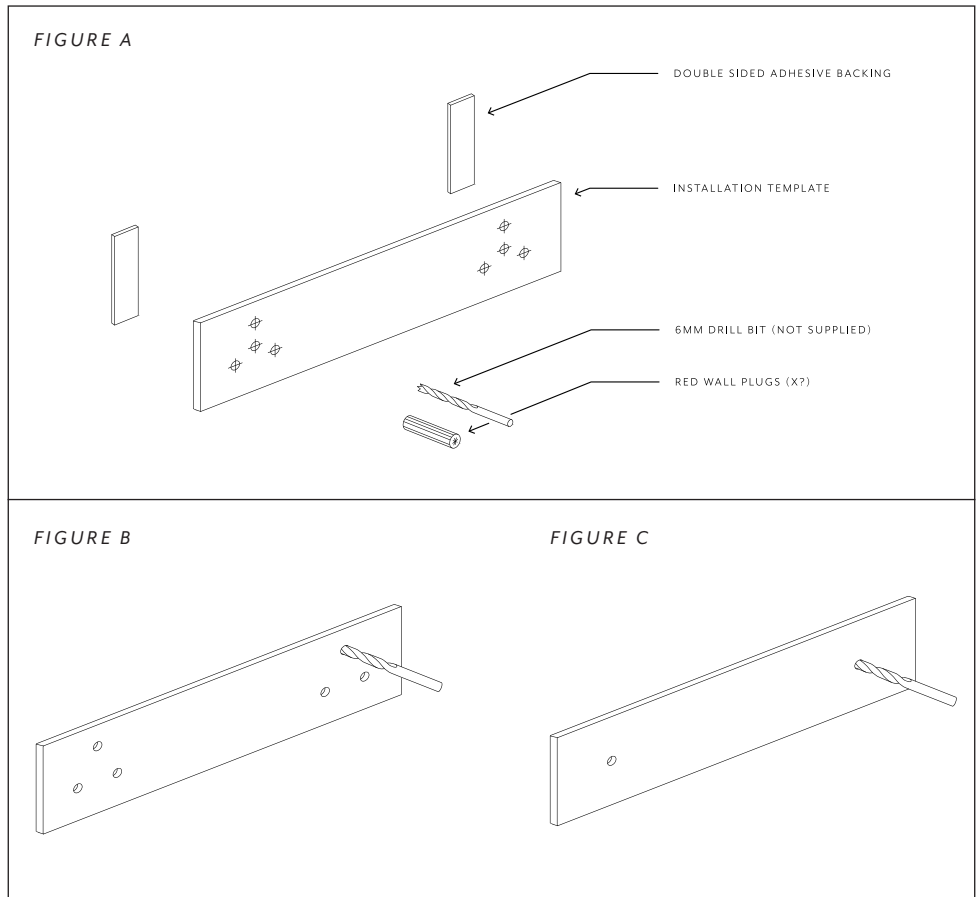


FIGURE D

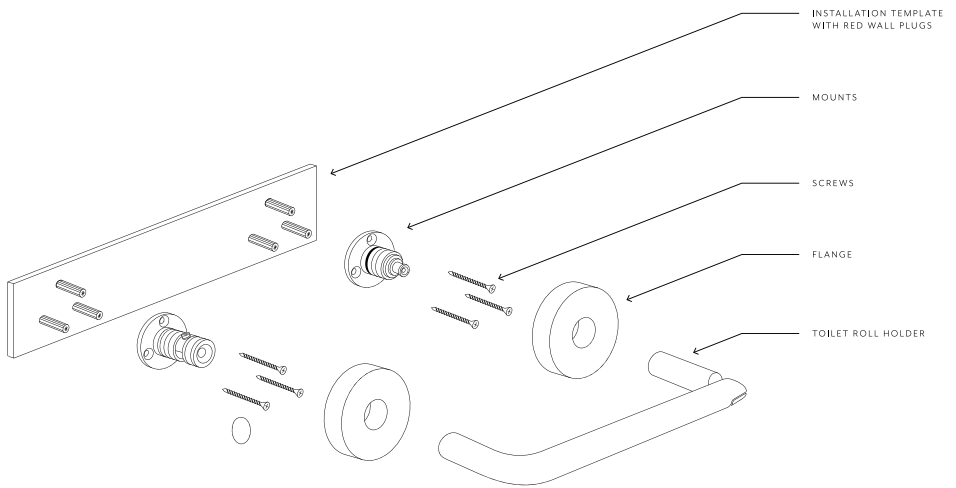
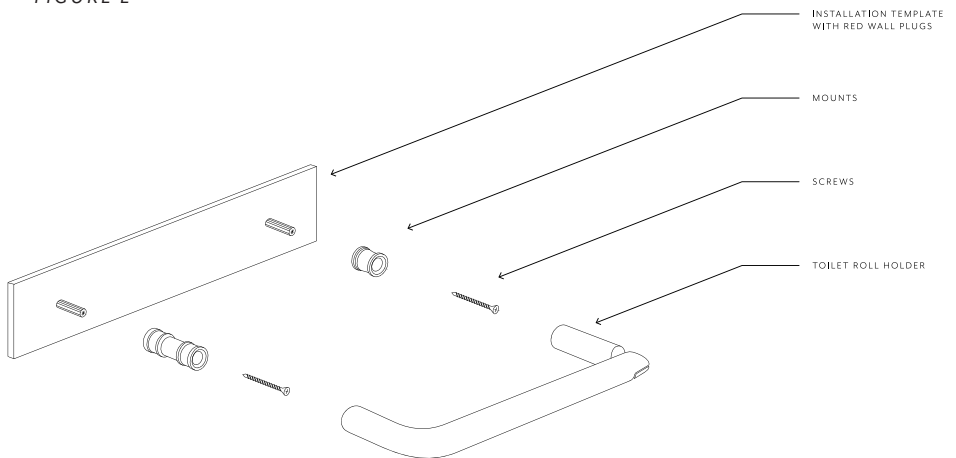


FIGURE E



IC5TRH 200311



@BRODWARE



+61 1300 800 300



ENQUIRIES@BRODWARE.COM



PINTEREST.COM.AU/BRODWARE



LINKEDIN.COM/COMPANY/BRODWARE

B.