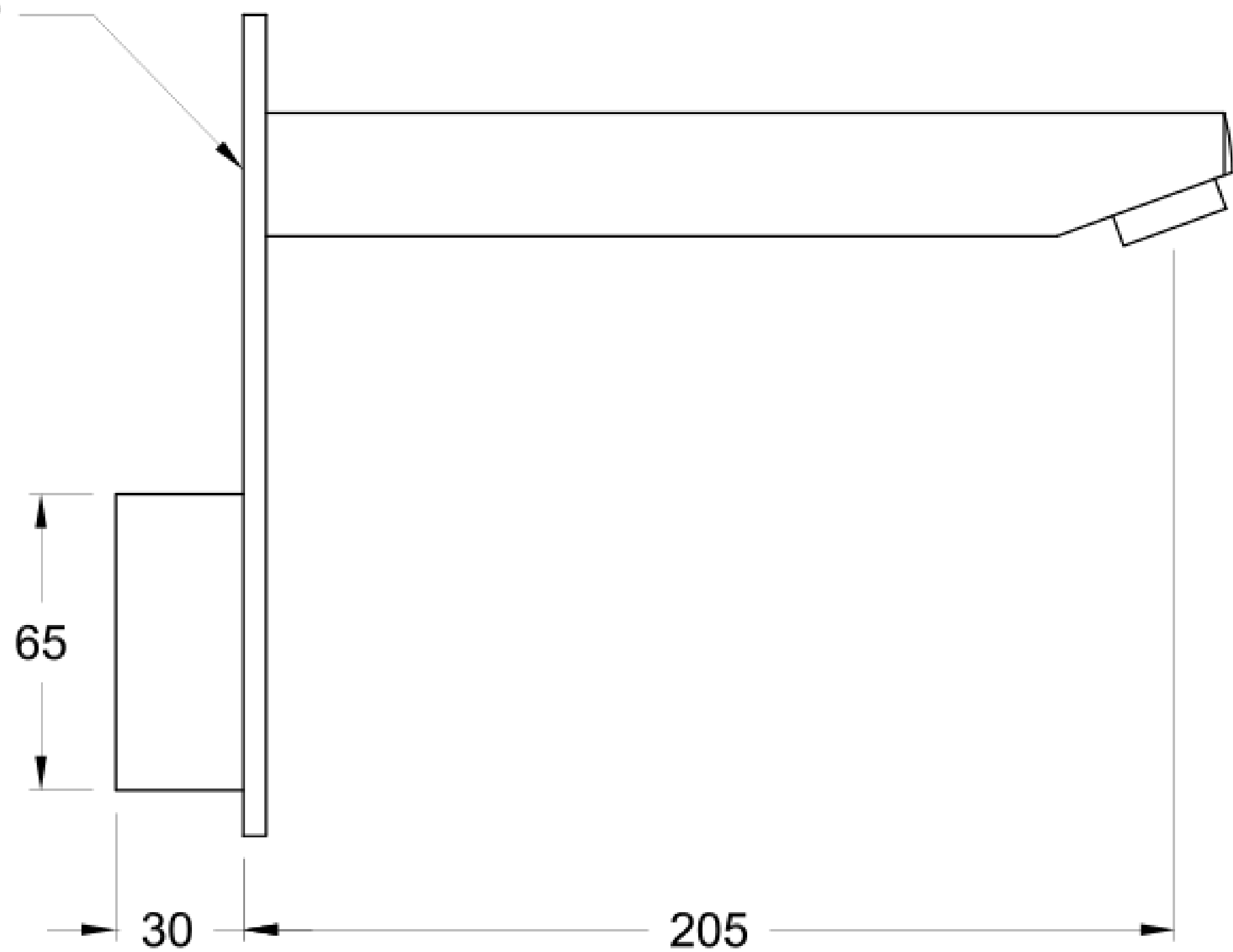
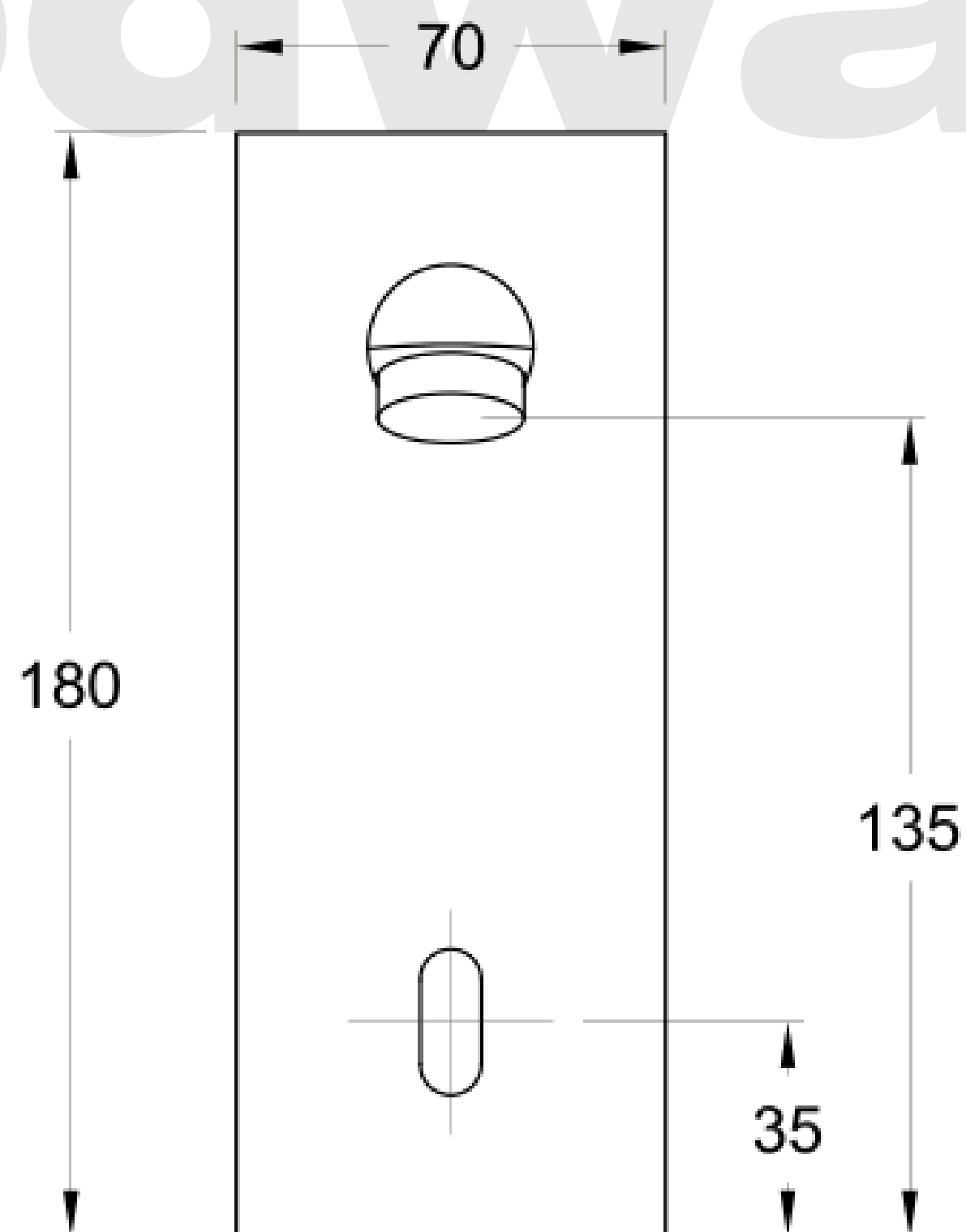


1/2" BSP



Brodware



BROSMART

2.2706.22.0.XX

XX Indicates finish
Manufacturing engineers of quality commercial and residential fittings
Dimensions subjects to change without notice. All dimensions are approximate
Copyright © Brodware Pty Ltd 2016. www.brodware.com

Brodware