

WINSLOW WALL SET WITH METAL LEVERS

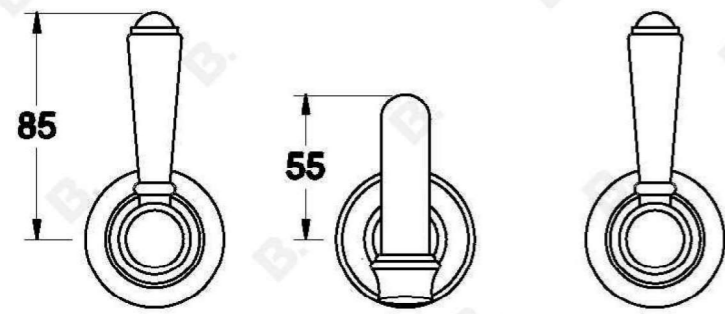
1.8106.00.3.XX

1.8106.50.3.XX - Flow controlled variant

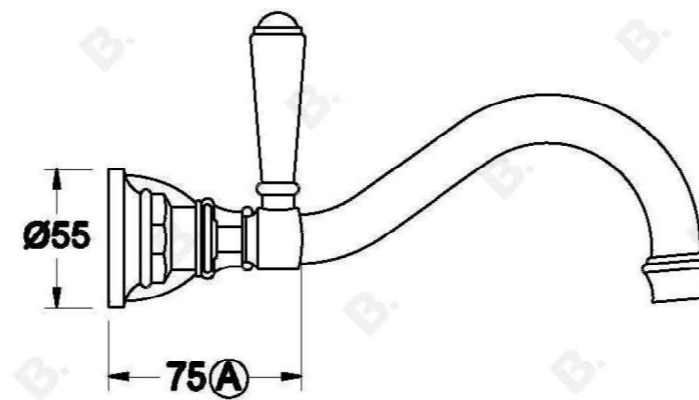


PRODUCT DIMENSIONS:

Front view:



Side view:



Top view:

