

Brodware

Zeko Vertical and Singlular Solo Rail Heated Towel Rail Installation Guide - Stud Wall and Masonry Wall

3.2700.00.1.XX, 3.2701.00.1.XX, 3.2702.00.1.XX, 3.1706.00.1.xXX,
3.1708.00.1.XX, 3.2506.00.1.XX, 3.2606.00.1.XX and 3.2608.00.1.XX

NOTE FOR INSTALLER:

- This product must be installed by a licensed electrician.
- For Zeko Vertical rail installation, the mounting box must be installed in the wall cavity at the top leg location.
- All other model rails are to be installed horizontally. Please confirm if the power is connecting to the left or right leg of the rail.
- An isolation switch must be installed near the towel rail. There must be an all-pole disconnection switch incorporated into the wiring.
- 12v transformers are supplied.
- No more than one rail is to be connected to the transformer.
- Transformer must be installed within 2 metres of the heated towel rail

Stud Wall - Rough in instructions

NOTE: Ensure there are noggings installed with adequate strength at both rail leg locations.

- 1) Position and mark up where the centre of the mounting bushes are going to be installed onto the timber stud in the wall.
- 2) Drill a hole into the top or bottom plastic cap of the mounting box for the wire to be fed through. Position and screw the mounting box to the timber wall framing, at the position of where the power wire from the transformer will connect to the wire from the leg of the rail. Ensure the set back of the mounting box is 5 - 20mm from the face of the nut on the mounting box, to the finished wall face.
- 3) Install the 12v transformer (supplied) in a remote serviceable location (ie in the ceiling above). Run the wire from the transformer, through the drilled hole in the mounting box, and out the nut hole on the mounting box. Leave the wire passing through the wall about 150mm.
- 4) Screw the hollow bolt into the nut on the mounting box, to protect the wire while sheeting off. NOTE: Must tile up as close as possible to the hollow bolt.

Masonry Wall - Rough in instructions

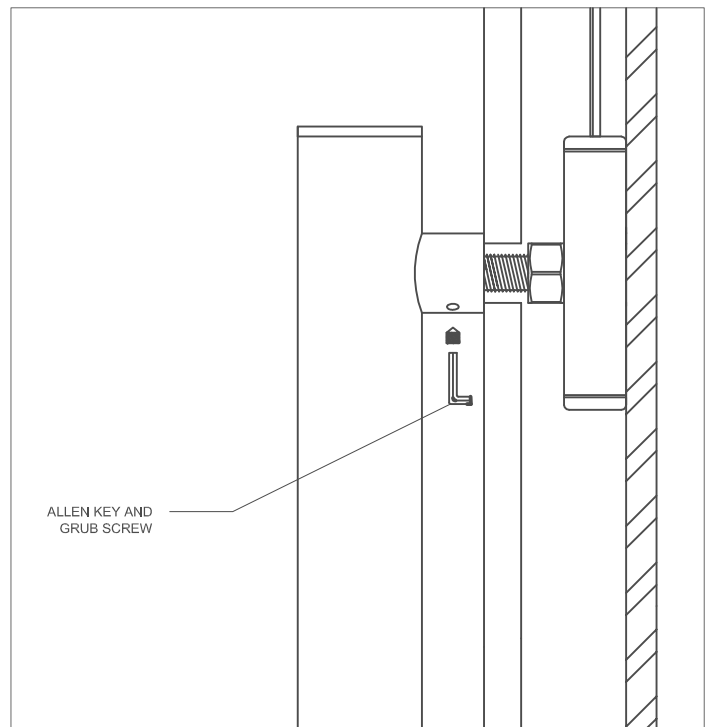
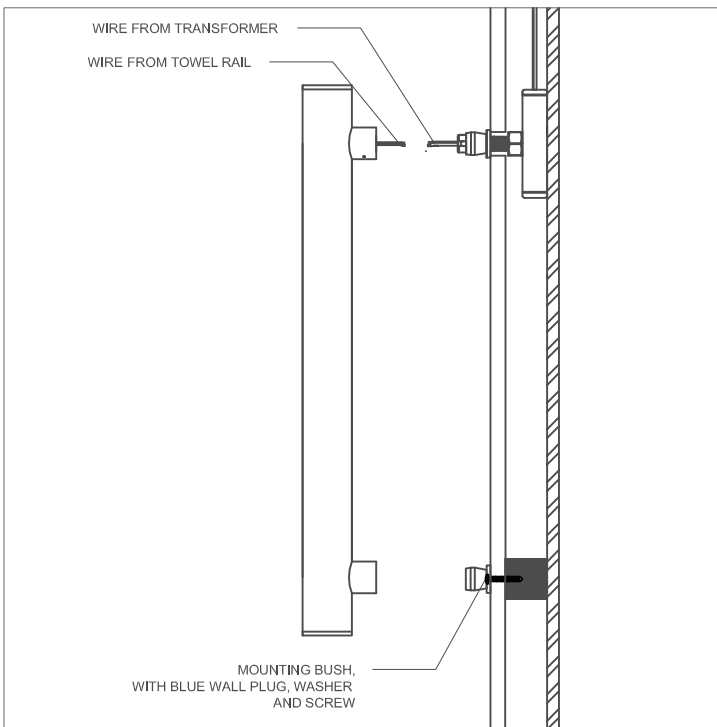
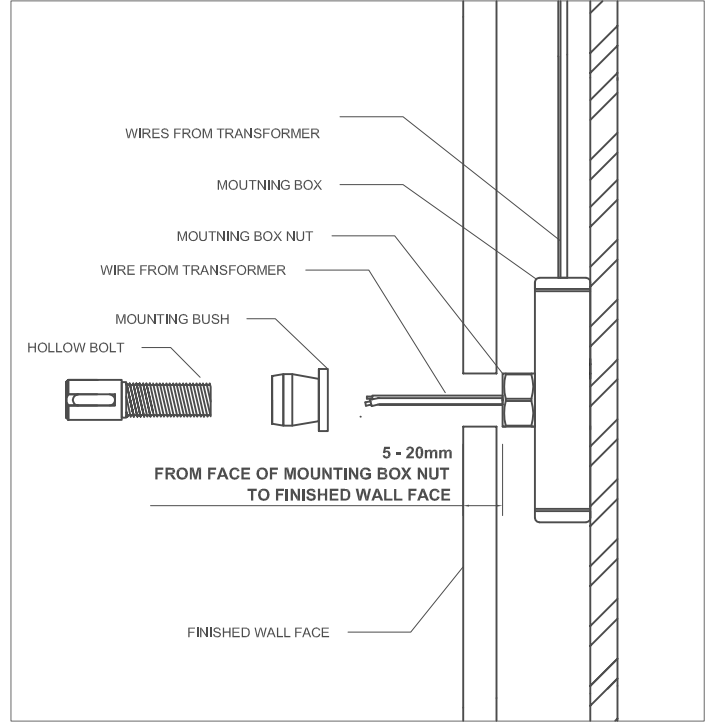
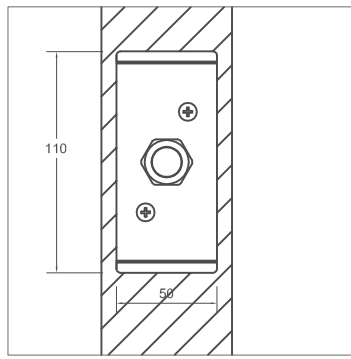
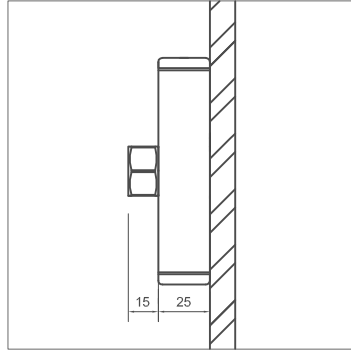
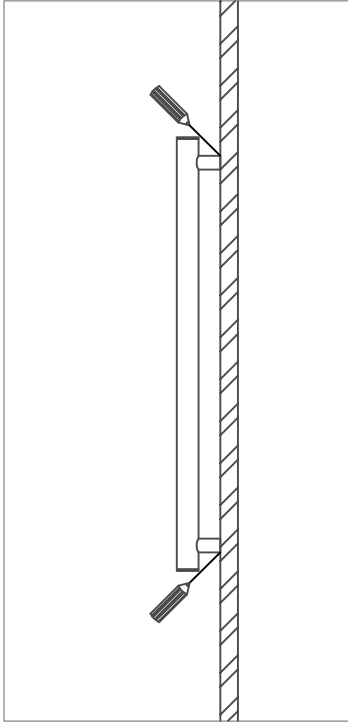
- 1) Locate the position on the wall of where the power wire from the transformer will connect to the wire from the leg of the rail. Chase a square cavity into the masonry wall for the mounting box - minimum of 80mm x 130mm. Calculate the depth of the cavity so the mounting box sits 5 - 20mm from the face of the nut on the mounting box, to the finished wall face. **The back face of the cavity must be square and level, for installing the mounting box.** Also chase the masonry wall for 20mm conduit, to house the wire from the 12v transformer location to the mounting box.
- 2) Drill a Ø20mm hole into the top or bottom black cap on the mounting box, to accommodate 20mm conduit.
- 3) Install the 12v transformer (supplied) in a remote serviceable location (ie in the ceiling above). Feed the wire from the planned transformer location, through the 20mm conduit, into the mounting box, and out through the nut hole on the mounting box. Leave the wire passing through the wall about 150mm.
- 4) Secure the mounting box into the wall cavity using the green wall plugs and screws (supplied). Secure and clip the conduit into the wall cavity.
- 5) Screw the hollow bolt into the into the nut on the mounting box.
- 6) Render / tile the wall. Render / tile up as close as possible to the hollow bolt.

Final fit off instructions.

- 1) Remove the hollow bolt from the wall. Insert the hollow bolt into a mounting bush. Feed the power cable from the wall through the hollow bolt. Firmly screw the hollow bolt and mounting bush into the nut of the mounting box. Cut down the thread on the hollow bolt, if required.
- 2) Locate the position on the finished wall for the mounting bush on the opposite side of the rail, using the rail as a guide. Mark and drill an Ø8mm hole into the finished wall for the blue wall plug, screw and washer (supplied). Push the wall plug into the hole in the wall. Insert the screw and washer into mounting bush, and screw the mounting bush to the wall firmly.
- 3) Connect the wires coming out from the wall to the wires in the heated towel rail. Ensure not to pull excessively on the wires on the heated towel rail.
- 4) Push the rail evenly onto the mounting bushes, and secure to the wall with the grub screws provided.
- 5) Connect the wires to the 12v transformer. Turn on, and test the temperature of the heated towel rail. Allow 1 hour before checking.

Brodware

Zeko Vertical and Single Solo Rail Heated Towel Rail Installation Guide - Stud Wall



Brodware

Zeko Vertical and Single Solo Rail Heated Towel Rail Installation Guide - Masonry Wall

